



## GR60

Bajonett-Stecker für Einpress-Kontakte, mit 1 Führungsnute, Stahlzapfen am Bajonett-Eingriff und Ringfeder im Bajonettring. Diese Stecker sind Weiterentwicklungen der Stecker nach den Normen MIL-DTL-5015 und VG95234.

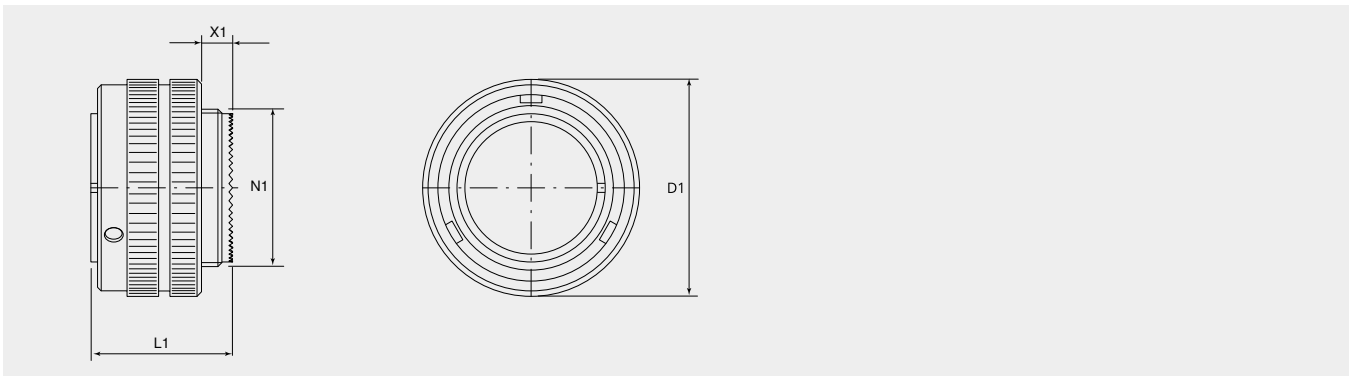
Die Stecker können sowohl für Innenraum- als auch Aussenraum-Anwendung angewendet werden.

Je nach verwendetem Zwischenstück kann für die Verbindung eine Dichtheit von bis zu IP69K erreicht werden. Die Steckverbindungen sind für den Aussenbereich bezüglich IP65 / IP67 / IP68 (5bar) nach IEC EN 60529 und IP69K nach DIN 40050 geprüft worden.

Für den Aussenbereich werden die Stecker mit gummiverstärktem Bajonettring und Staubschutzlippe empfohlen. Zusätzlich ist ein Zwischenstück mit abdichtbarem Kabelhalter oder mit einem Adapter für Schrumpfformteile zu verwenden.

Die wesentlichen Merkmale dieser bahntauglichen

Stecker in Stichworten: Bajonettkupplung | Polbilder bis 105 Kontakte | Anschlussquerschnitte von 0,5 bis 50 mm<sup>2</sup> | Widerstandsfähig gegen Treibstoffe, Schmier- und Isolieröle etc. | Hohe mechanische Belastbarkeit



| Artikelnummer     | Grösse | Anzahl Kontakte | D1 (Ø) | N1              | L1 (mm) |
|-------------------|--------|-----------------|--------|-----------------|---------|
| GR60-10SL-3PN-EAA | 10SL   | 3               | 23.0   | 5/8"-24 UNEF 2A | 24.6    |
| GR60-10SL-3SN-EAA | 10SL   | 3               | 23.0   | 5/8"-24 UNEF 2A | 24.6    |
| GR60-10SL-4PN-EAA | 10SL   | 2               | 23.0   | 5/8"-24 UNEF 2A | 24.6    |
| GR60-10SL-4SN-EAA | 10SL   | 2               | 23.0   | 5/8"-24 UNEF 2A | 24.6    |
| GR60-14S-2PN-EAA  | 14S    | 4               | 30.0   | 3/4"-20 UNEF 2A | 24.6    |
| GR60-14S-2SN-EAA  | 14S    | 4               | 30.0   | 3/4"-20 UNEF 2A | 24.6    |
| GR60-14S-5SN-EAA  | 14S    | 5               | 30.0   | 3/4"-20 UNEF 2A | 24.6    |
| GR60-14S-5PN-EAA  | 14S    | 5               | 30.0   | 3/4"-20 UNEF 2A | 24.6    |
| GR60-14S-6PN-EAA  | 14S    | 6               | 30.0   | 3/4"-20 UNEF 2A | 24.6    |
| GR60-14S-6SN-EAA  | 14S    | 6               | 30.0   | 3/4"-20 UNEF 2A | 24.6    |
| GR60-14S-7PN-EAA  | 14S    | 3               | 30.0   | 3/4"-20 UNEF 2A | 24.6    |
| GR60-14S-7SN-EAA  | 14S    | 3               | 30.0   | 3/4"-20 UNEF 2A | 24.6    |
| GR60-14S-A7PN-EAA | 14S    | 7               | 30.0   | 3/4"-20 UNEF 2A | 24.6    |
| GR60-14S-A7SN-EAA | 14S    | 7               | 30.0   | 3/4"-20 UNEF 2A | 24.6    |
| GR60-16S-8PN-EAA  | 16S    | 5               | 32.0   | 7/8"-20 UNEF 2A | 24.6    |
| GR60-16S-8SN-EAA  | 16S    | 5               | 32.0   | 7/8"-20 UNEF 2A | 24.6    |
| GR60-14S-9PN-EAA  | 14S    | 2               | 30.0   | 3/4"-20 UNEF 2A | 24.6    |
| GR60-14S-9SN-EAA  | 14S    | 2               | 30.0   | 3/4"-20 UNEF 2A | 24.6    |
| GR60-16S-1PN-EAA  | 16S    | 7               | 32.0   | 7/8"-20 UNEF 2A | 24.6    |
| GR60-16S-1SN-EAA  | 16S    | 7               | 32.0   | 7/8"-20 UNEF 2A | 24.6    |

| Artikelnummer    | Grösse | Anzahl Kontakte | D1 (Ø) | N1                | L1 (mm) |
|------------------|--------|-----------------|--------|-------------------|---------|
| GR60-16S-4PN-EAA | 16S    | 2               | 32.0   | 7/8"-20 UNEF 2A   | 24.6    |
| GR60-16S-4SN-EAA | 16S    | 2               | 32.0   | 7/8"-20 UNEF 2A   | 24.6    |
| GR60-16S-5PN-EAA | 16S    | 3               | 32.0   | 7/8"-20 UNEF 2A   | 24.6    |
| GR60-16S-5SN-EAA | 16S    | 3               | 32.0   | 7/8"-20 UNEF 2A   | 24.6    |
| GR60-16-9PN-EAA  | 16     | 4               | 32.0   | 7/8"-20 UNEF 2A   | 34.1    |
| GR60-16-9SN-EAA  | 16     | 4               | 32.0   | 7/8"-20 UNEF 2A   | 34.1    |
| GR60-16-10PN-EAA | 16     | 3               | 32.0   | 7/8"-20 UNEF 2A   | 34.1    |
| GR60-16-10SN-EAA | 16     | 3               | 32.0   | 7/8"-20 UNEF 2A   | 34.1    |
| GR60-18-1PN-EAA  | 18     | 10              | 37.0   | 1"-20 UNEF 2A     | 36.0    |
| GR60-18-1SN-EAA  | 18     | 10              | 37.0   | 1"-20 UNEF 2A     | 36.0    |
| GR60-18-3PN-EAA  | 18     | 2               | 37.0   | 1"-20 UNEF 2A     | 36.0    |
| GR60-18-3SN-EAA  | 18     | 2               | 37.0   | 1"-20 UNEF 2A     | 36.0    |
| GR60-18-4PN-EAA  | 18     | 4               | 37.0   | 1"-20 UNEF 2A     | 36.0    |
| GR60-18-4SN-EAA  | 18     | 4               | 37.0   | 1"-20 UNEF 2A     | 36.0    |
| GR60-18-8PN-EAA  | 18     | 8               | 37.0   | 1"-20 UNEF 2A     | 36.0    |
| GR60-18-8SN-EAA  | 18     | 8               | 37.0   | 1"-20 UNEF 2A     | 36.0    |
| GR60-18-9PN-EAA  | 18     | 7               | 37.0   | 1"-20 UNEF 2A     | 36.0    |
| GR60-18-9SN-EAA  | 18     | 7               | 37.0   | 1"-20 UNEF 2A     | 36.0    |
| GR60-18-10PN-EAA | 18     | 4               | 37.0   | 1"-20 UNEF 2A     | 36.0    |
| GR60-18-10SN-EAA | 18     | 4               | 37.0   | 1"-20 UNEF 2A     | 36.0    |
| GR60-18-11SN-EAA | 18     | 5               | 37.0   | 1"-20 UNEF 2A     | 36.0    |
| GR60-18-11PN-EAA | 18     | 5               | 37.0   | 1"-20 UNEF 2A     | 36.0    |
| GR60-18-12PN-EAA | 18     | 6               | 37.0   | 1"-20 UNEF 2A     | 36.0    |
| GR60-18-12SN-EAA | 18     | 6               | 37.0   | 1"-20 UNEF 2A     | 36.0    |
| GR60-18-19PN-EAA | 18     | 10              | 37.0   | 1"-20 UNEF 2A     | 36.0    |
| GR60-18-19SN-EAA | 18     | 10              | 37.0   | 1"-20 UNEF 2A     | 36.0    |
| GR60-18-20PN-EAA | 18     | 5               | 37.0   | 1"-20 UNEF 2A     | 36.0    |
| GR60-18-20SN-EAA | 18     | 5               | 37.0   | 1"-20 UNEF 2A     | 36.0    |
| GR60-18-22PN-EAA | 18     | 3               | 37.0   | 1"-20 UNEF 2A     | 36.0    |
| GR60-18-22SN-EAA | 18     | 3               | 37.0   | 1"-20 UNEF 2A     | 36.0    |
| GR60-20-3PN-EAA  | 20     | 3               | 40.0   | 1 1/8"-18 UNEF 2A | 36.0    |
| GR60-20-3SN-EAA  | 20     | 3               | 40.0   | 1 1/8"-18 UNEF 2A | 36.0    |
| GR60-20-4PN-EAA  | 20     | 4               | 40.0   | 1 1/8"-18 UNEF 2A | 36.0    |
| GR60-20-4SN-EAA  | 20     | 4               | 40.0   | 1 1/8"-18 UNEF 2A | 36.0    |
| GR60-20-7PN-EAA  | 20     | 8               | 40.0   | 1 1/8"-18 UNEF 2A | 36.0    |
| GR60-20-7SN-EAA  | 20     | 8               | 40.0   | 1 1/8"-18 UNEF 2A | 36.0    |
| GR60-20-11PN-EAA | 20     | 13              | 40.0   | 1 1/8"-18 UNEF 2A | 36.0    |
| GR60-20-11SN-EAA | 20     | 13              | 40.0   | 1 1/8"-18 UNEF 2A | 36.0    |
| GR60-20-15PN-EAA | 20     | 7               | 40.0   | 1 1/8"-18 UNEF 2A | 36.0    |
| GR60-20-15SN-EAA | 20     | 7               | 40.0   | 1 1/8"-18 UNEF 2A | 36.0    |
| GR60-20-18PN-EAA | 20     | 9               | 40.0   | 1 1/8"-18 UNEF 2A | 36.0    |
| GR60-20-18SN-EAA | 20     | 9               | 40.0   | 1 1/8"-18 UNEF 2A | 36.0    |
| GR60-20-19PN-EAA | 20     | 3               | 40.0   | 1 1/8"-18 UNEF 2A | 36.0    |
| GR60-20-19SN-EAA | 20     | 3               | 40.0   | 1 1/8"-18 UNEF 2A | 36.0    |
| GR60-20-24PN-EAA | 20     | 4               | 40.0   | 1 1/8"-18 UNEF 2A | 36.0    |
| GR60-20-24SN-EAA | 20     | 4               | 40.0   | 1 1/8"-18 UNEF 2A | 36.0    |
| GR60-20-27SN-EAA | 20     | 14              | 40.0   | 1 1/8"-18 UNEF 2A | 36.0    |

| Artikelnummer     | Grösse | Anzahl Kontakte | D1 (Ø) | N1                | L1 (mm) |
|-------------------|--------|-----------------|--------|-------------------|---------|
| GR60-20-27PN-EAA  | 20     | 14              | 40.0   | 1 1/8"-18 UNEF 2A | 36.0    |
| GR60-20-29PN-EAA  | 20     | 17              | 40.0   | 1 1/8"-18 UNEF 2A | 36.0    |
| GR60-20-29SN-EAA  | 20     | 17              | 40.0   | 1 1/8"-18 UNEF 2A | 36.0    |
| GR60-20-33PN-EAA  | 20     | 11              | 40.0   | 1 1/8"-18 UNEF 2A | 36.0    |
| GR60-20-33SN-EAA  | 20     | 11              | 40.0   | 1 1/8"-18 UNEF 2A | 36.0    |
| GR60-20-A48PN-EAA | 20     | 19              | 40.0   | 1 1/8"-18 UNEF 2A | 36.0    |
| GR60-20-A48SN-EAA | 20     | 19              | 40.0   | 1 1/8"-18 UNEF 2A | 36.0    |
| GR60-22-1PN-EAA   | 22     | 2               | 44.0   | 1 1/4"-18 UNEF 2A | 36.0    |
| GR60-22-1SN-EAA   | 22     | 2               | 44.0   | 1 1/4"-18 UNEF 2A | 36.0    |
| GR60-22-2PN-EAA   | 22     | 3               | 44.0   | 1 1/4"-18 UNEF 2A | 36.0    |
| GR60-22-2SN-EAA   | 22     | 3               | 44.0   | 1 1/4"-18 UNEF 2A | 36.0    |
| GR60-22-A10PN-EAA | 22     | 10              | 44.0   | 1 1/4"-18 UNEF 2A | 36.0    |
| GR60-22-A10SN-EAA | 22     | 10              | 44.0   | 1 1/4"-18 UNEF 2A | 36.0    |
| GR60-22-14PN-EAA  | 22     | 19              | 44.0   | 1 1/4"-18 UNEF 2A | 36.0    |
| GR60-22-14SN-EAA  | 22     | 19              | 44.0   | 1 1/4"-18 UNEF 2A | 36.0    |
| GR60-22-18PN-EAA  | 22     | 8               | 44.0   | 1 1/4"-18 UNEF 2A | 36.0    |
| GR60-22-18SN-EAA  | 22     | 8               | 44.0   | 1 1/4"-18 UNEF 2A | 36.0    |
| GR60-22-19PN-EAA  | 22     | 14              | 44.0   | 1 1/4"-18 UNEF 2A | 36.0    |
| GR60-22-19SN-EAA  | 22     | 14              | 44.0   | 1 1/4"-18 UNEF 2A | 36.0    |
| GR60-22-21PN-EAA  | 22     | 3               | 44.0   | 1 1/4"-18 UNEF 2A | 36.0    |
| GR60-22-21SN-EAA  | 22     | 3               | 44.0   | 1 1/4"-18 UNEF 2A | 36.0    |
| GR60-22-22PN-EAA  | 22     | 4               | 44.0   | 1 1/4"-18 UNEF 2A | 36.0    |
| GR60-22-22SN-EAA  | 22     | 4               | 44.0   | 1 1/4"-18 UNEF 2A | 36.0    |
| GR60-22-23PN-EAA  | 22     | 8               | 44.0   | 1 1/4"-18 UNEF 2A | 36.0    |
| GR60-22-23SN-EAA  | 22     | 8               | 44.0   | 1 1/4"-18 UNEF 2A | 36.0    |
| GR60-24-2PN-EAA   | 24     | 7               | 48.0   | 1 3/8"-18 UNEF 2A | 36.0    |
| GR60-24-2SN-EAA   | 24     | 7               | 48.0   | 1 3/8"-18 UNEF 2A | 36.0    |
| GR60-24-5PN-EAA   | 24     | 16              | 48.0   | 1 3/8"-18 UNEF 2A | 36.0    |
| GR60-24-5SN-EAA   | 24     | 16              | 48.0   | 1 3/8"-18 UNEF 2A | 36.0    |
| GR60-24-07PN-EAA  | 24     | 7               | 48.0   | 1 3/8"-18 UNEF 2A | 36.0    |
| GR60-24-07SN-EAA  | 24     | 7               | 48.0   | 1 3/8"-18 UNEF 2A | 36.0    |
| GR60-24-9PN-EAA   | 24     | 2               | 48.0   | 1 3/8"-18 UNEF 2A | 36.0    |
| GR60-24-9SN-EAA   | 24     | 2               | 48.0   | 1 3/8"-18 UNEF 2A | 36.0    |
| GR60-24-10PN-EAA  | 24     | 7               | 48.0   | 1 3/8"-18 UNEF 2A | 36.0    |
| GR60-24-10SN-EAA  | 24     | 7               | 48.0   | 1 3/8"-18 UNEF 2A | 36.0    |
| GR60-24-11PN-EAA  | 24     | 9               | 48.0   | 1 3/8"-18 UNEF 2A | 36.0    |
| GR60-24-11SN-EAA  | 24     | 9               | 48.0   | 1 3/8"-18 UNEF 2A | 36.0    |
| GR60-24-12PN-EAA  | 24     | 5               | 48.0   | 1 3/8"-18 UNEF 2A | 36.0    |
| GR60-24-12SN-EAA  | 24     | 5               | 48.0   | 1 3/8"-18 UNEF 2A | 36.0    |
| GR60-24-19PN-EAA  | 24     | 12              | 48.0   | 1 3/8"-18 UNEF 2A | 36.0    |
| GR60-24-19SN-EAA  | 24     | 12              | 48.0   | 1 3/8"-18 UNEF 2A | 36.0    |
| GR60-24-20PN-EAA  | 24     | 11              | 48.0   | 1 3/8"-18 UNEF 2A | 36.0    |
| GR60-24-20SN-EAA  | 24     | 11              | 48.0   | 1 3/8"-18 UNEF 2A | 36.0    |
| GR60-24-22PN-EAA  | 24     | 4               | 48.0   | 1 3/8"-18 UNEF 2A | 36.0    |
| GR60-24-22SN-EAA  | 24     | 4               | 48.0   | 1 3/8"-18 UNEF 2A | 36.0    |
| GR60-24-A25PN-EAA | 24     | 25              | 48.0   | 1 3/8"-18 UNEF 2A | 36.0    |
| GR60-24-A25SN-EAA | 24     | 25              | 48.0   | 1 3/8"-18 UNEF 2A | 36.0    |

| Artikelnummer     | Grösse | Anzahl Kontakte | D1 (Ø) | N1                | L1 (mm) |
|-------------------|--------|-----------------|--------|-------------------|---------|
| GR60-24-27PN-EAA  | 24     | 7               | 48.0   | 1 3/8"-18 UNEF 2A | 36.0    |
| GR60-24-27SN-EAA  | 24     | 7               | 48.0   | 1 3/8"-18 UNEF 2A | 36.0    |
| GR60-24-28PN-EAA  | 24     | 24              | 48.0   | 1 3/8"-18 UNEF 2A | 36.0    |
| GR60-24-28SN-EAA  | 24     | 24              | 48.0   | 1 3/8"-18 UNEF 2A | 36.0    |
| GR60-24-A28PN-EAA | 28     | 28              | 54.0   | 1 5/8"-18 UNEF 2A | 36.0    |
| GR60-24-A28SN-EAA | 28     | 28              | 54.0   | 1 5/8"-18 UNEF 2A | 36.0    |
| GR60-28-1PN-EAA   | 28     | 9               | 54.0   | 1 5/8"-18 UNEF 2A | 36.0    |
| GR60-28-1SN-EAA   | 28     | 9               | 54.0   | 1 5/8"-18 UNEF 2A | 36.0    |
| GR60-28-2PN-EAA   | 28     | 14              | 54.0   | 1 5/8"-18 UNEF 2A | 36.0    |
| GR60-28-2SN-EAA   | 28     | 14              | 54.0   | 1 5/8"-18 UNEF 2A | 36.0    |
| GR60-28-3PN-EAA   | 28     | 3               | 54.0   | 1 5/8"-18 UNEF 2A | 36.0    |
| GR60-28-3SN-EAA   | 28     | 3               | 54.0   | 1 5/8"-18 UNEF 2A | 36.0    |
| GR60-28-5PN-EAA   | 28     | 5               | 54.0   | 1 5/8"-18 UNEF 2A | 36.0    |
| GR60-28-5SN-EAA   | 28     | 5               | 54.0   | 1 5/8"-18 UNEF 2A | 36.0    |
| GR60-28-6PN-EAA   | 28     | 3               | 54.0   | 1 5/8"-18 UNEF 2A | 36.0    |
| GR60-28-6SN-EAA   | 28     | 3               | 54.0   | 1 5/8"-18 UNEF 2A | 36.0    |
| GR60-28-10PN-EAA  | 28     | 7               | 54.0   | 1 5/8"-18 UNEF 2A | 36.0    |
| GR60-28-10SN-EAA  | 28     | 7               | 54.0   | 1 5/8"-18 UNEF 2A | 36.0    |
| GR60-28-11PN-EAA  | 28     | 22              | 54.0   | 1 5/8"-18 UNEF 2A | 36.0    |
| GR60-28-11SN-EAA  | 28     | 22              | 54.0   | 1 5/8"-18 UNEF 2A | 36.0    |
| GR60-28-12PN-EAA  | 28     | 26              | 54.0   | 1 5/8"-18 UNEF 2A | 36.0    |
| GR60-28-12SN-EAA  | 28     | 26              | 54.0   | 1 5/8"-18 UNEF 2A | 36.0    |
| GR60-28-15PN-EAA  | 28     | 35              | 54.0   | 1 5/8"-18 UNEF 2A | 36.0    |
| GR60-28-15SN-EAA  | 28     | 35              | 54.0   | 1 5/8"-18 UNEF 2A | 36.0    |
| GR60-28-16PN-EAA  | 28     | 20              | 54.0   | 1 5/8"-18 UNEF 2A | 36.0    |
| GR60-28-16SN-EAA  | 28     | 20              | 54.0   | 1 5/8"-18 UNEF 2A | 36.0    |
| GR60-28-20PN-EAA  | 28     | 14              | 54.0   | 1 5/8"-18 UNEF 2A | 36.0    |
| GR60-28-20SN-EAA  | 28     | 14              | 54.0   | 1 5/8"-18 UNEF 2A | 36.0    |
| GR60-28-21PN-EAA  | 28     | 37              | 54.0   | 1 5/8"-18 UNEF 2A | 36.0    |
| GR60-28-21SN-EAA  | 28     | 37              | 54.0   | 1 5/8"-18 UNEF 2A | 36.0    |
| GR60-28-22PN-EAA  | 28     | 6               | 54.0   | 1 5/8"-18 UNEF 2A | 36.0    |
| GR60-28-22SN-EAA  | 28     | 6               | 54.0   | 1 5/8"-18 UNEF 2A | 36.0    |
| GR60-28-51PN-EAA  | 28     | 12              | 54.0   | 1 5/8"-18 UNEF 2A | 36.0    |
| GR60-28-51SN-EAA  | 28     | 12              | 54.0   | 1 5/8"-18 UNEF 2A | 36.0    |
| GR60-32-1PN-EAA   | 32     | 5               | 60.0   | 1 7/8"-16 UN 2A   | 38.0    |
| GR60-32-1SN-EAA   | 32     | 5               | 60.0   | 1 7/8"-16 UN 2A   | 38.0    |
| GR60-32-5PN-EAA   | 32     | 2               | 60.0   | 1 7/8"-16 UN 2A   | 38.0    |
| GR60-32-5SN-EAA   | 32     | 2               | 60.0   | 1 7/8"-16 UN 2A   | 38.0    |
| GR60-32-8PN-EAA   | 32     | 30              | 60.0   | 1 7/8"-16 UN 2A   | 38.0    |
| GR60-32-8SN-EAA   | 32     | 30              | 60.0   | 1 7/8"-16 UN 2A   | 38.0    |
| GR60-32-A9PN-EAA  | 32     | 9               | 60.0   | 1 7/8"-16 UN 2A   | 38.0    |
| GR60-32-A9SN-EAA  | 32     | 9               | 60.0   | 1 7/8"-16 UN 2A   | 38.0    |
| GR60-32-013PN-EAA | 32     | 13              | 60.0   | 1 7/8"-16 UN 2A   | 38.0    |
| GR60-32-013SN-EAA | 32     | 13              | 60.0   | 1 7/8"-16 UN 2A   | 38.0    |
| GR60-32-15PN-EAA  | 32     | 8               | 60.0   | 1 7/8"-16 UN 2A   | 38.0    |
| GR60-32-15SN-EAA  | 32     | 8               | 60.0   | 1 7/8"-16 UN 2A   | 38.0    |
| GR60-32-17PN-EAA  | 32     | 4               | 60.0   | 1 7/8"-16 UN 2A   | 38.0    |

| Artikelnummer     | Grösse | Anzahl Kontakte | D1 (Ø) | N1               | L1 (mm) |
|-------------------|--------|-----------------|--------|------------------|---------|
| GR60-32-17SN-EAA  | 32     | 4               | 60.0   | 1 7/8"-16 UN 2A  | 38.0    |
| GR60-32-22PN-EAA  | 32     | 54              | 60.0   | 1 7/8"-16 UN 2A  | 38.0    |
| GR60-32-22SN-EAA  | 32     | 54              | 60.0   | 1 7/8"-16 UN 2A  | 38.0    |
| GR60-32-A30PN-EAA | 32     | 30              | 60.0   | 1 7/8"-16 UN 2A  | 38.0    |
| GR60-32-A30SN-EAA | 32     | 30              | 60.0   | 1 7/8"-16 UN 2A  | 38.0    |
| GR60-32-31PN-EAA  | 32     | 31              | 60.0   | 1 7/8"-16 UN 2A  | 38.0    |
| GR60-32-31SN-EAA  | 32     | 31              | 60.0   | 1 7/8"-16 UN 2A  | 38.0    |
| GR60-32-A55PN-EAA | 32     | 55              | 60.0   | 1 7/8"-16 UN 2A  | 38.0    |
| GR60-32-A55SN-EAA | 32     | 55              | 60.0   | 1 7/8"-16 UN 2A  | 38.0    |
| GR60-32-59PN-EAA  | 32     | 42              | 60.0   | 1 7/8"-16 UN 2A  | 38.0    |
| GR60-32-59SN-EAA  | 32     | 42              | 60.0   | 1 7/8"-16 UN 2A  | 38.0    |
| GR60-36-3PN-EAA   | 36     | 6               | 67.0   | 2 1/16"-16 UN 2A | 38.5    |
| GR60-36-3SN-EAA   | 36     | 6               | 67.0   | 2 1/16"-16 UN 2A | 38.5    |
| GR60-36-5PN-EAA   | 36     | 4               | 67.0   | 2 1/16"-16 UN 2A | 38.5    |
| GR60-36-5SN-EAA   | 36     | 4               | 67.0   | 2 1/16"-16 UN 2A | 38.5    |
| GR60-36-7PN-EAA   | 36     | 47              | 67.0   | 2 1/16"-16 UN 2A | 38.5    |
| GR60-36-7SN-EAA   | 36     | 47              | 67.0   | 2 1/16"-16 UN 2A | 38.5    |
| GR60-36-10PN-EAA  | 36     | 48              | 67.0   | 2 1/16"-16 UN 2A | 38.5    |
| GR60-36-10SN-EAA  | 36     | 48              | 67.0   | 2 1/16"-16 UN 2A | 38.5    |
| GR60-36-15PN-EAA  | 36     | 35              | 67.0   | 2 1/16"-16 UN 2A | 38.5    |
| GR60-36-15SN-EAA  | 36     | 35              | 67.0   | 2 1/16"-16 UN 2A | 38.5    |
| GR60-36-A22PN-EAA | 36     | 22              | 67.0   | 2 1/16"-16 UN 2A | 38.5    |
| GR60-36-A22SN-EAA | 36     | 22              | 67.0   | 2 1/16"-16 UN 2A | 38.5    |
| GR60-40-A3PN-EAA  | 40     | 3               | 73.0   | 2 5/16"-16 UN 2A | 38.5    |
| GR60-40-A3SN-EAA  | 40     | 3               | 73.0   | 2 5/16"-16 UN 2A | 38.5    |
| GR60-40-A4PN-EAA  | 40     | 4               | 73.0   | 2 5/16"-16 UN 2A | 38.5    |
| GR60-40-A4SN-EAA  | 40     | 4               | 73.0   | 2 5/16"-16 UN 2A | 38.5    |
| GR60-40-A8PN-EAA  | 40     | 8               | 73.0   | 2 5/16"-16 UN 2A | 38.5    |
| GR60-40-A8SN-EAA  | 40     | 8               | 73.0   | 2 5/16"-16 UN 2A | 38.5    |
| GR60-40-9PN-EAA   | 40     | 47              | 73.0   | 2 5/16"-16 UN 2A | 38.5    |
| GR60-40-9SN-EAA   | 40     | 47              | 73.0   | 2 5/16"-16 UN 2A | 38.5    |
| GR60-40-A10PN-EAA | 40     | 8               | 73.0   | 2 5/16"-16 UN 2A | 38.5    |
| GR60-40-A10SN-EAA | 40     | 8               | 73.0   | 2 5/16"-16 UN 2A | 38.5    |
| GR60-40-A14PN-EAA | 40     | 14              | 73.0   | 2 5/16"-16 UN 2A | 38.5    |
| GR60-40-A14SN-EAA | 40     | 14              | 73.0   | 2 5/16"-16 UN 2A | 38.5    |
| GR60-40-A20PN-EAA | 40     | 20              | 73.0   | 2 5/16"-16 UN 2A | 38.5    |
| GR60-40-A20SN-EAA | 40     | 20              | 73.0   | 2 5/16"-16 UN 2A | 38.5    |
| GR60-40-A25PN-EAA | 40     | 25              | 73.0   | 2 5/16"-16 UN 2A | 38.5    |
| GR60-40-A25SN-EAA | 40     | 25              | 73.0   | 2 5/16"-16 UN 2A | 38.5    |
| GR60-40-31PN-EAA  | 40     | 31              | 73.0   | 2 5/16"-16 UN 2A | 38.5    |
| GR60-40-31SN-EAA  | 40     | 31              | 73.0   | 2 5/16"-16 UN 2A | 38.5    |
| GR60-40-35SN-EAA  | 40     | 35              | 73.0   | 2 5/16"-16 UN 2A | 38.5    |
| GR60-40-35PN-EAA  | 40     | 35              | 73.0   | 2 5/16"-16 UN 2A | 38.5    |
| GR60-40-B37PN-EAA | 40     | 37              | 73.0   | 2 5/16"-16 UN 2A | 38.5    |
| GR60-40-B37SN-EAA | 40     | 37              | 73.0   | 2 5/16"-16 UN 2A | 38.5    |
| GR60-40-A47PN-EAA | 40     | 47              | 73.0   | 2 5/16"-16 UN 2A | 38.5    |
| GR60-40-A47SN-EAA | 40     | 47              | 73.0   | 2 5/16"-16 UN 2A | 38.5    |

| Artikelnummer     | Grösse | Anzahl Kontakte | D1 (Ø) | N1               | L1 (mm) |
|-------------------|--------|-----------------|--------|------------------|---------|
| GR60-40-56PN-EAA  | 40     | 85              | 73.0   | 2 5/16"-16 UN 2A | 38.5    |
| GR60-40-56SN-EAA  | 40     | 85              | 73.0   | 2 5/16"-16 UN 2A | 38.5    |
| GR60-40-A60PN-EAA | 40     | 60              | 73.0   | 2 5/16"-16 UN 2A | 38.5    |
| GR60-40-A60SN-EAA | 40     | 60              | 73.0   | 2 5/16"-16 UN 2A | 38.5    |
| GR60-40-A62PN-EAA | 40     | 62              | 73.0   | 2 5/16"-16 UN 2A | 38.5    |
| GR60-40-A62SN-EAA | 40     | 62              | 73.0   | 2 5/16"-16 UN 2A | 38.5    |
| GR60-40-63PN-EAA  | 40     | 61              | 73.0   | 2 5/16"-16 UN 2A | 38.5    |
| GR60-40-63SN-EAA  | 40     | 61              | 73.0   | 2 5/16"-16 UN 2A | 38.5    |